



Sauer-Information

Mitteilung-Nummer:

0051

Inhalt:

Maintenance S 50

Datum:

03.09.2009

NOTE: The Gearbox is supplied without oil. Before putting in operation the required quantity of oil must be filled in.

Torques:

Mounting bolts	6 + 4 pcs.	M 10	48 – 52	Nm
Housing bolts	8 pcs.	M 6x45	9 – 11	Nm
Propeller flange	1 pc.	M 27x1,5	230 – 235	Nm
Propeller flange	2 x 6pcs.	M 8	23 - 28	Nm
Jaw clutch coupling gearbox	1 pc.	M 8x100	23 – 28	Nm
Jaw clutch coupling engine	1 pc.	½“ UNF	70 – 75	Nm

Glue every bolt with Loctite 242

Quantity of oil/: hanging: sub edge of front oil screw thread SAE 80/90-GL4/GL5
Oil quality standing: middle of the oil level glass SAE 80/90-GL4/GL5

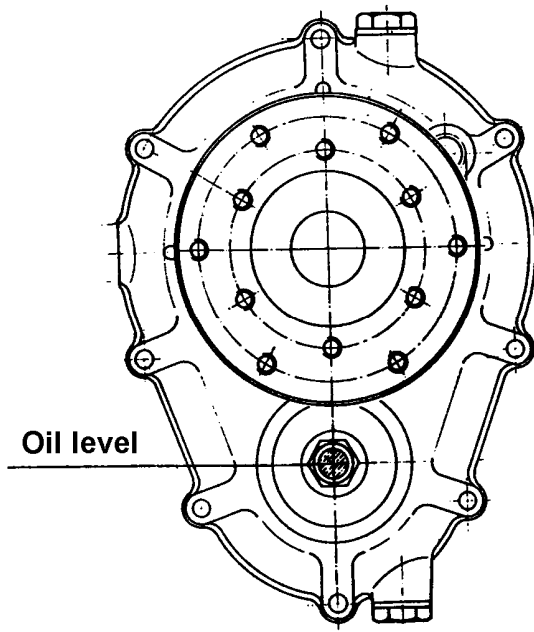
Inspections:

Jobs to be done	1. time ()		then all		
	2h	10h	50h	100h	150h
1. Replace oil		(X)		X	
2. Retorque housing bolts	(X)		X		
3. Check oil level	(X)	X			
4. Check gearbox on leakage	before each running. If oil leaks check oil level				
5. Check dampener					X
6. Check centrifugal clutch			X		

Process of Engagement for Gearboxes with Centrifugal Clutch:

To avoid unnecessary wear and possible damage of the clutch, the idle speed must not exceed 1.600 rpm. For engagement, turn the engine up to 2.500 / 2.800 rpm and keep this speed until the clutch has engaged completely. The required operational speed should be set only after complete engagement of clutch. Please take care that the clutch won't start to slip when speeding up.

standing version



hanging version

